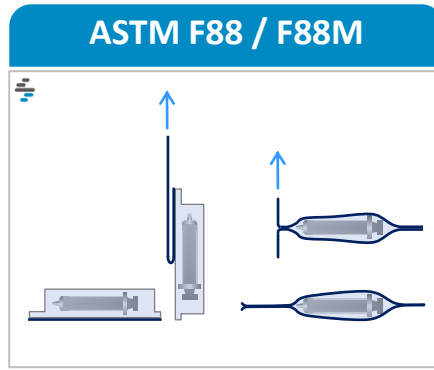
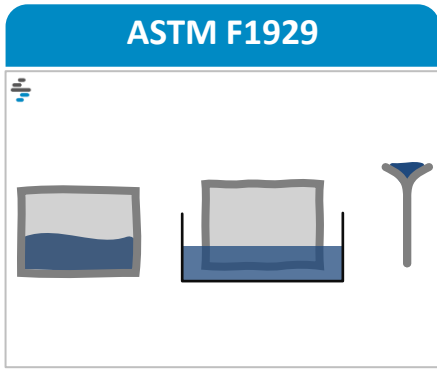
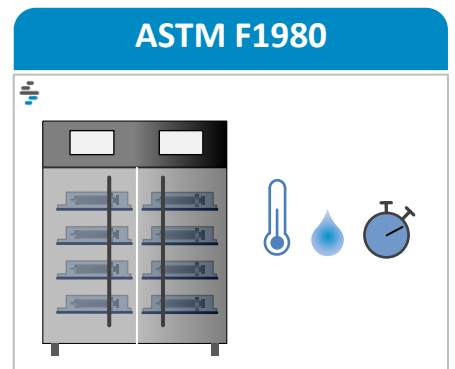


AGING and PACKAGING – Test Methods

Seal strength and integrity

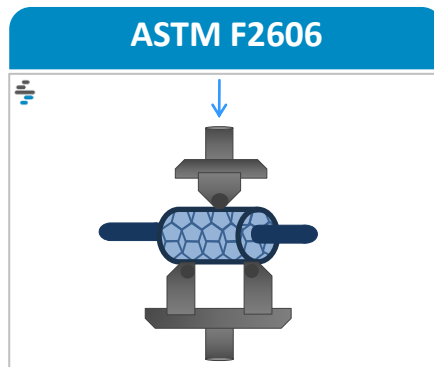
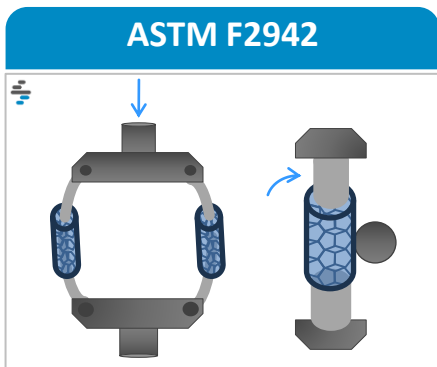


Aging



STENTS – Test Methods

Vascular stents



Cardiovascular stents

