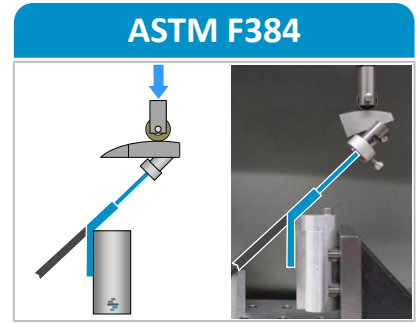
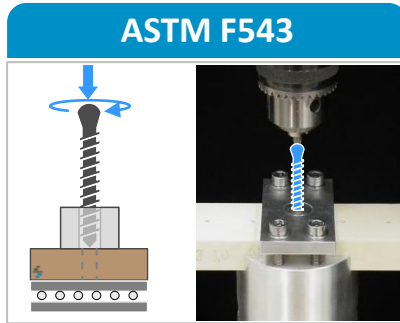
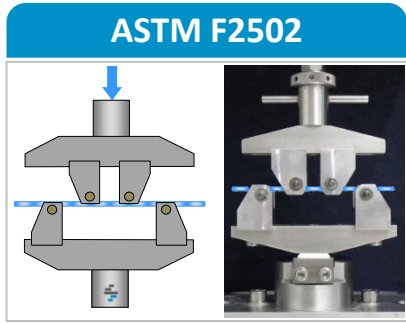
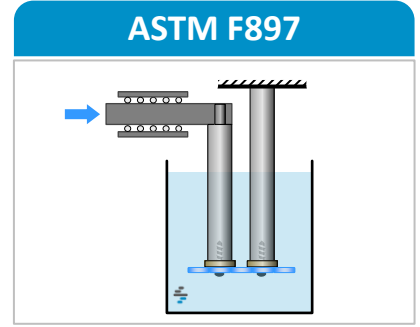
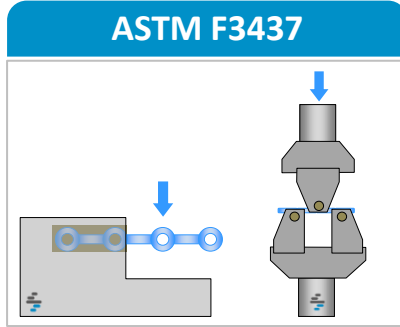
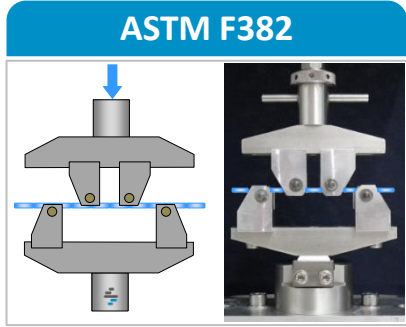
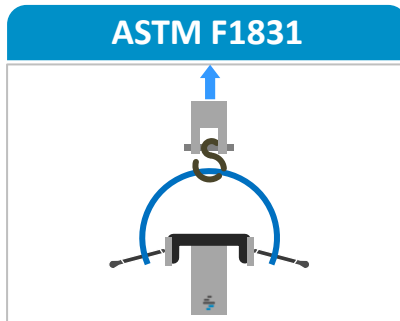
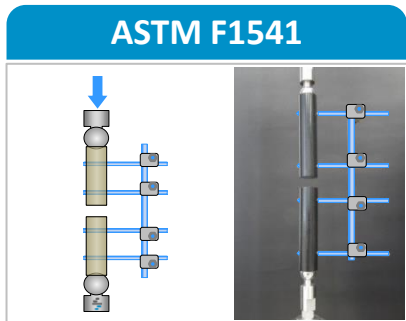


TRAUMA IMPLANTS – Test Methods

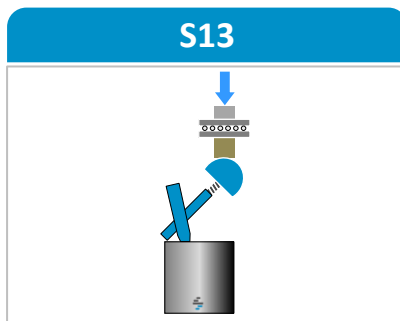
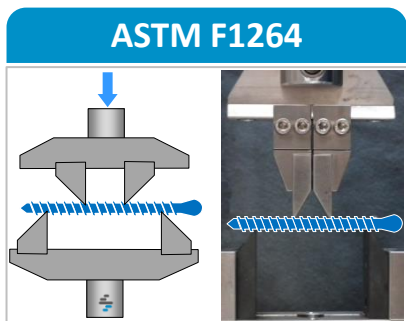
Internal fixators and plates



External fixators



Intramedullary systems



Further trauma implants

